



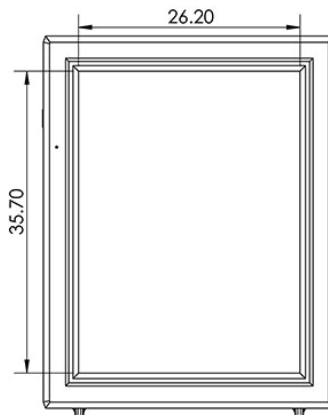
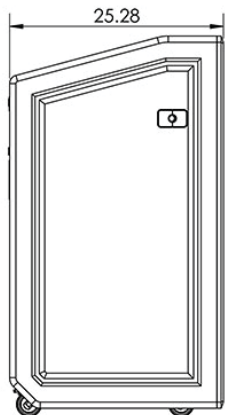
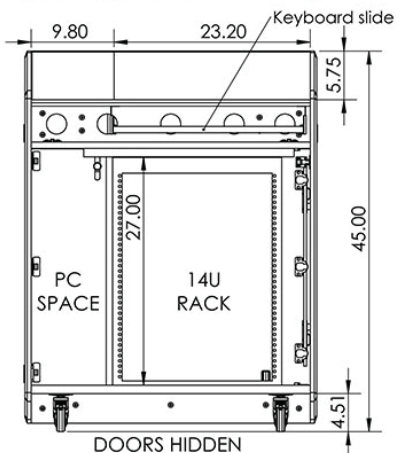
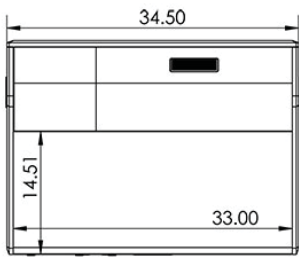
LEX36 Multimedia lectern features 14 rack spaces, PC space and can accommodate a folding side shelf opposite the pocket door. Clean audience side look with hidden full access rear door. Other features include: locking front pocket door, locking PC door, pull-out keyboard and mouse tray, removable pod for cutouts, quiet cooling fan and heavy duty casters. Scratch resistant thermal wrap surfaces offered in many color options.

Standard Features

- Flat or wedge top pod option to suit your interface requirements
- Rear door with innovative hidden lock for full access to equipment from audience side as well as a locking keyboard door
- Interior space with Front and back 14U 19" rack frame (21" D)
- Hide away locking front pocket door
- Locking PC space for full and mid-tower computers
- Quiet cooling 120mm fan
- Heavy duty casters (2 locking)
- Thermowrapped lectern with choice of finishes
- Ships assembled

Options

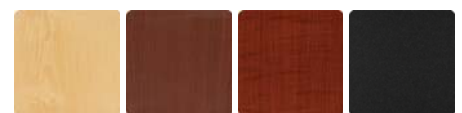
- **C900S** Single adjustable monitor arm
- **PLM1022** 10" - 24" Monitor mount
- **MM1232** 12" - 32" Monitor mount (Requires flat top surface)
- **MCB1925** 19" - 25" Monitor/camera bracket
- **FM3** Count down timer/clock
- **MIC-18** MX418 S/C Shure Gooseneck microphone
- **LIGHT-18** Littlite Gooseneck
- **PB** Six outlet power bar with 10 ft. cord
- **PC-PATCH** 2x 110AC, RJ45, Phone, 2x USB
- **SF-PB3** Surface mounted 3-outlet 120V power bar
- **CUB3** Round cable well
- **CUB5** Round cable well (Black or silver)
- **CUB8** Table top cable well
- **9031/9041/9052** Utility metal shelves/drawer (Check website)
- **DIR9200-10/12** 10U/12U Rack module
- **SH-FL-EX** Folding side shelf (Black)
- **9107** Lacing bar (19" long)
- **MAGKEY** Additional key for hidden locks
- **LEV4AX4** 4x Levelers for non-mobile applications
- **GRC60** 60mm Round grommet. Black-B, white-W & grey-G
- **CUSTOM CUTOUT** Cutouts for electronics or other items specified by the customer



Specifications

Model: LEX36
Width: 34.5"
Depth: 25.3"
Height: 45"

Finishes



Other finishes are available. Check website.

The information contained in this drawing is the sole property of Audio Visual Furniture International. Any reproduction in part or as a whole without the written permission of Audio Visual Furniture International is prohibited. AVFI can build or modify stock configurations to suit customer specifications. Please contact us to discuss how this service can help meet your needs. Some quantity restrictions may apply. Specification subject to change without notice. Computers, cameras, monitors, etc. are shown to illustrate product usage and are not included unless otherwise noted.